

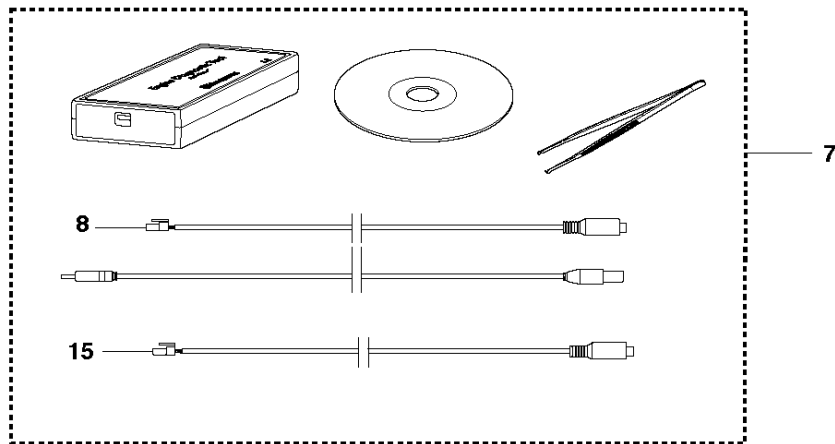
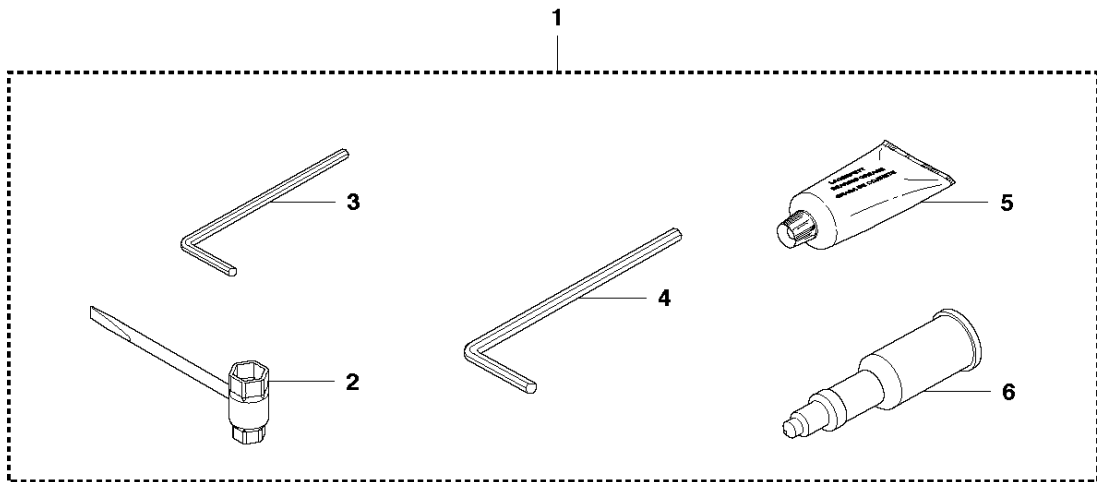


SPARE PARTS LIST

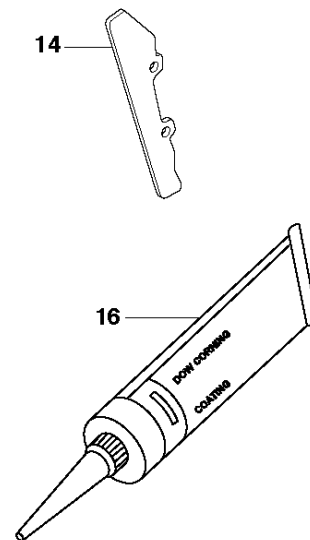
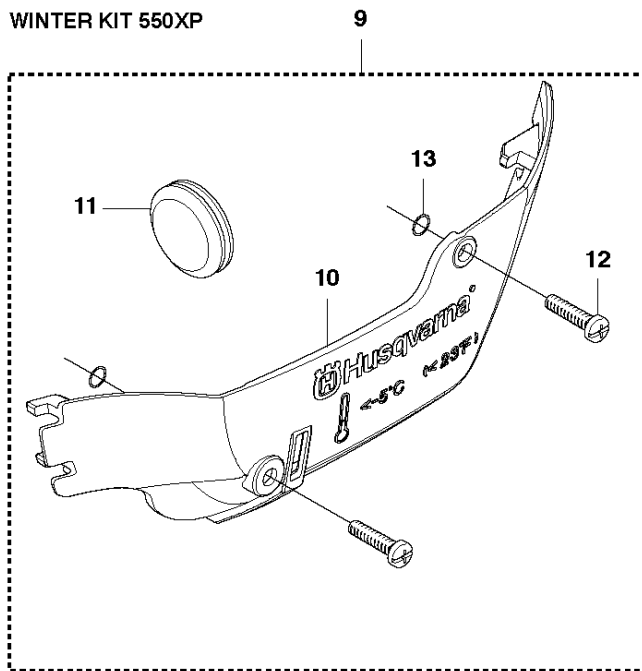
CHAIN SAWS

550 XP/XPG

P 550XP
ACCESSORIES



WINTER KIT 550XP



ACCESSORIES

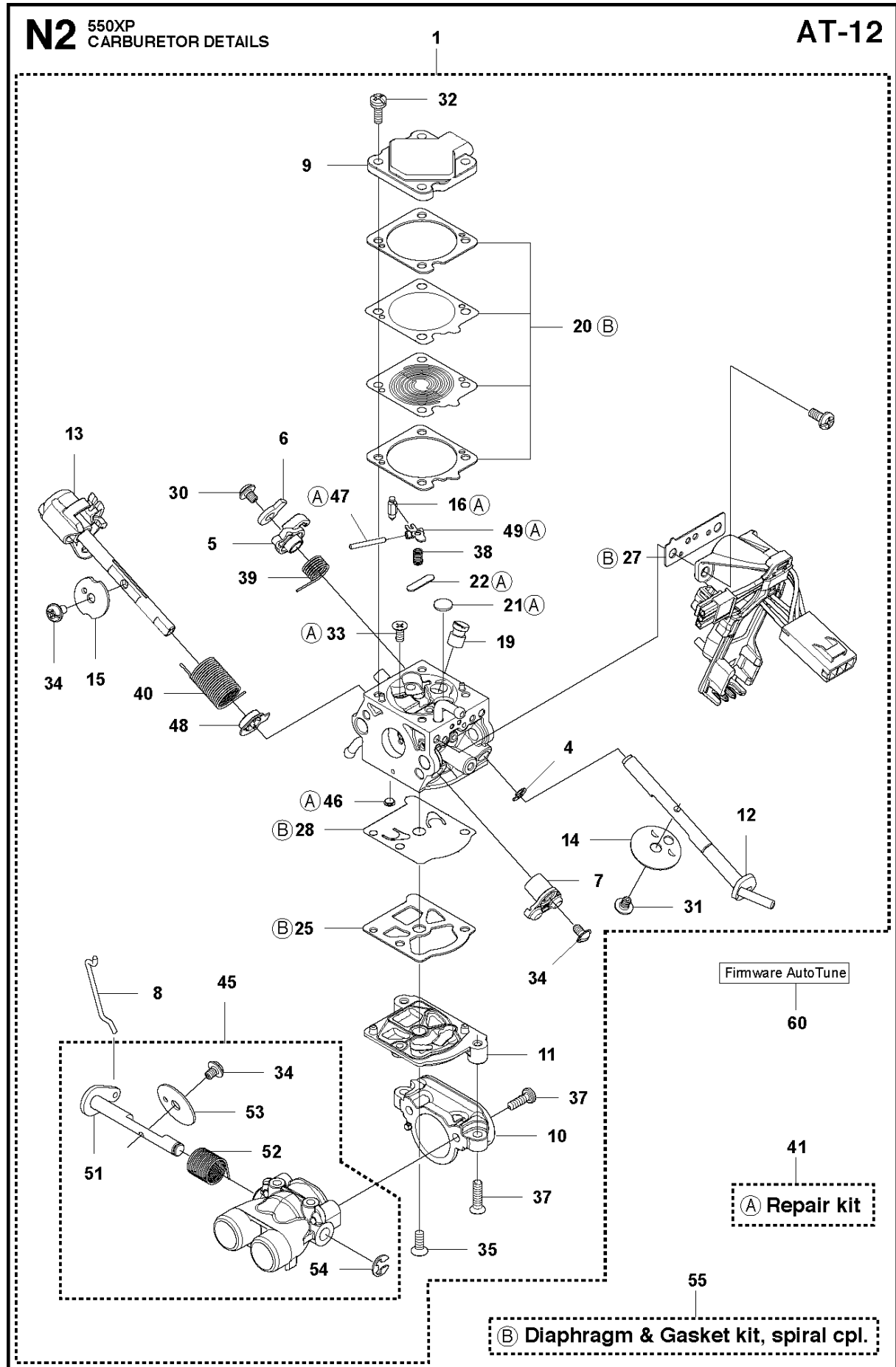
550 XP/XPG

| Ref | Part No | Description | Remark | QTY | KIT |
|-----|--------------|--------------------|-------------------------|-----|-----|
| 1 | 575 43 92-01 | TOOL | | 1 | |
| 2 | 522 52 11-01 | COMBINATION WRENCH | | 1 | 1 |
| 3 | 503 55 86-01 | SPANNER | | 1 | 1 |
| 4 | 503 55 86-02 | SPANNER | | 1 | 1 |
| 5 | 503 62 12-01 | GREASE | | 1 | 1 |
| 6 | 501 91 14-01 | GREASE GUN | | 1 | 1 |
| 7 | 576 69 23-01 | SERVICE TOOLS | Engine diagnostic tool | 1 | |
| 8 | 576 18 34-01 | CABLE ASSY | Diagnostics cable | 1 | 7 |
| 9 | 522 98 66-01 | WINTER KIT | | 1 | |
| 10 | 525 55 80-01 | WINTER COVER | | 1 | 9 |
| 11 | 578 12 55-01 | WINTER PLUG | | 1 | 9 |
| 12 | 503 21 70-16 | SCREW CCRPANT | | 2 | 9 |
| 13 | 740 42 01-00 | O-RING | | 2 | 9 |
| 14 | 577 88 72-01 | ENCLOSED KIT | | 1 | |
| 15 | 576 95 22-01 | CABLE ASSY | Diagnostics cable 550XP | 1 | 7 |
| 16 | 503 26 72-01 | GLUE | | 1 | |

CARBURETOR & AIR FILTER

550 XP/XPG

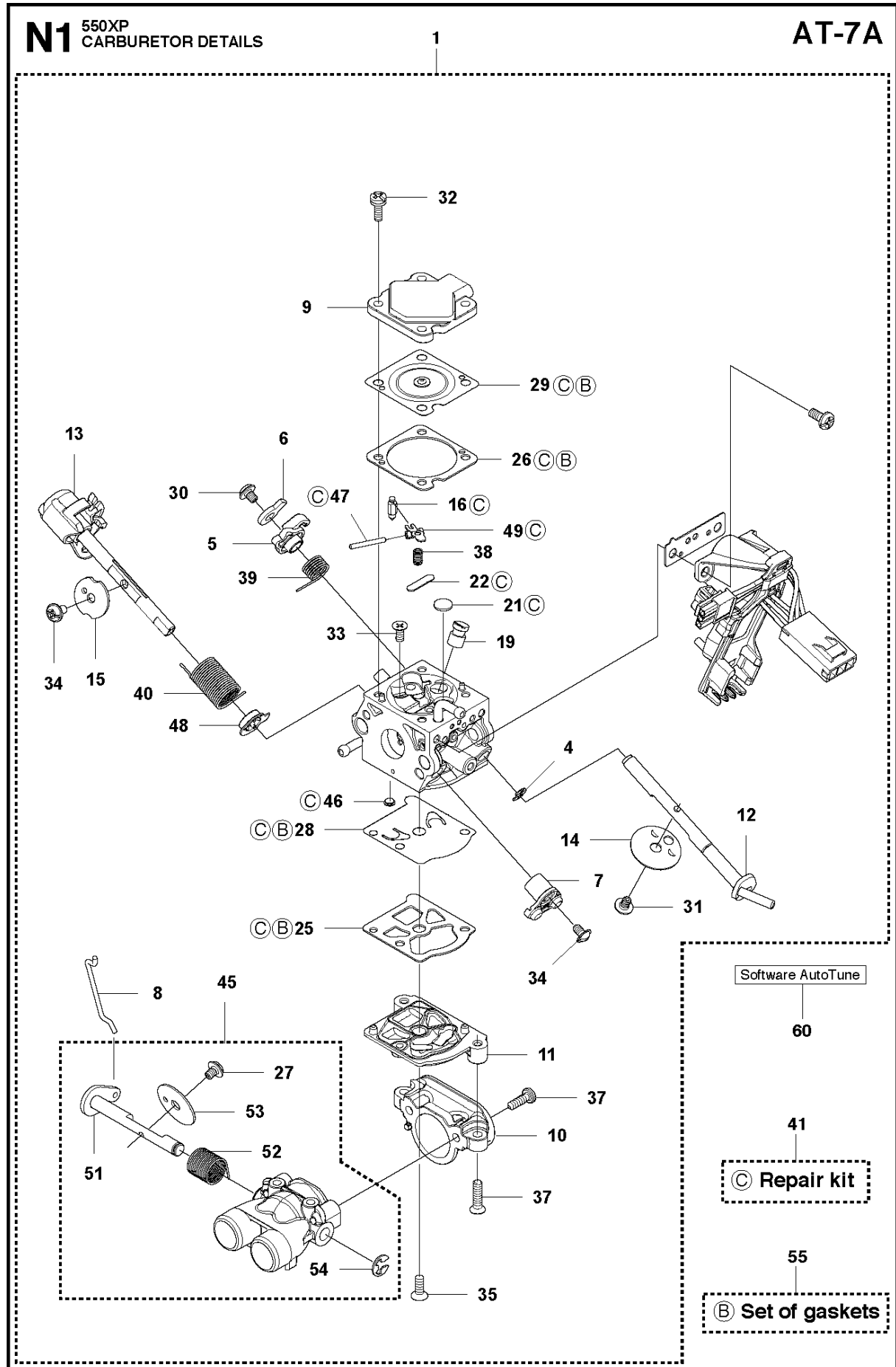
| Ref | Part No | Description | Remark | QTY | KIT |
|-----|--------------|--------------------|---|-----|-----|
| 1 | 522 67 54-04 | AIR FILTER ASSY | NYLON 80 µm black | 1 | |
| 1 | 522 67 54-05 | AIR FILTER ASSY | NYLON 44 µm yellow | 1 | |
| 1 | 522 67 54-06 | AIR FILTER ASSY | FELT white | 1 | |
| 2 | 574 19 89-03 | FILTER HOLDER ASSY | XP | 1 | |
| 2 | 574 19 89-04 | FILTER HOLDER ASSY | XPG | 1 | |
| 3 | 522 90 73-01 | SHACKLE | | 1 | 2 |
| 4 | 510 01 72-02 | CHOKE CONTROL ASSY | | 1 | |
| 5 | 505 15 62-01 | SCREW | | 1 | |
| 6 | 525 58 81-01 | SEALING | | 1 | |
| 7 | 503 93 66-01 | PRIMER HOUSING | | 1 | |
| 8 | 503 20 25-50 | SCREW IHSCM | | 2 | |
| 9 | 587 64 54-04 | VENTILATING HOSE | From s/n 20153900097 | 1 | 9 |
| 9 | 589 35 71-01 | VENTILATING HOSE | Up to s/n 20153900096 | 1 | |
| 10 | 587 08 48-06 | CARBURETTOR KIT | AT-12 | 1 | |
| 11 | 510 02 06-01 | SCREW IHSCM | | 4 | |
| 12 | 523 06 40-02 | FLANGE | | 1 | |
| 13 | 503 22 65-03 | SQUARE NUT | | 2 | 12 |
| 14 | 525 50 00-03 | INLET PIPE ASSY | | 1 | |
| 15 | 522 95 10-01 | INTERMEDIATE WALL | | 1 | |
| 16 | 525 61 92-01 | SEALING | | 1 | |
| 17 | 525 61 90-01 | SEALING | | 1 | |
| 18 | 523 05 68-01 | FUEL HOSE | | 1 | |
| 19 | . | TBD | Download from your local supportsite | 1 | |
| 20 | 577 53 64-01 | WIRING ASSY | | 1 | |
| 21 | 585 19 50-01 | SUPPORT SLEEVE | | 1 | 10 |



CARBURETOR DETAILS

550 XP/XPG

| Ref | Part No | Description | Remark | QTY | KIT |
|-----|--------------|------------------------|---|-----|-----|
| 1 | 587 08 48-06 | CARBURETTOR KIT | AT-12 | 1 | |
| 4 | 577 26 29-01 | RETAINER | | 1 | 1 |
| 5 | 574 35 77-01 | LEVER | | 1 | 1 |
| 6 | 576 61 85-01 | LEVER | | 1 | 1 |
| 7 | 577 21 92-01 | THROTTLE LEVER ASSY | | 1 | 1 |
| 8 | 574 35 79-01 | LINK | | 1 | 1 |
| 9 | 574 35 81-01 | COVER | | 1 | 1 |
| 10 | 575 79 48-01 | INLET | | 1 | 1 |
| 11 | 575 79 47-01 | COVER | | 1 | 1 |
| 12 | 574 35 84-01 | SHAFT ASSY | | 1 | 1 |
| 13 | 574 35 82-01 | SHAFT | | 1 | 1 |
| 14 | 574 35 85-01 | VALVE | | 1 | 1 |
| 15 | 501 64 95-01 | THROTTLE VALVE | | 1 | 1 |
| 16 | 503 56 34-01 | INLET | | 1 | 1 |
| 21 | 504 79 08-01 | PLUG | | 1 | 1 |
| 22 | 586 49 71-01 | PLUG | | 1 | 1 |
| 25 | 504 13 09-06 | GASKET | | 1 | 1 |
| 19 | 576 61 88-01 | NOZZLE ASSY | | 1 | 1 |
| 20 | 582 36 64-01 | DIAPHRAGM & GASKET KIT | | 1 | 1 |
| 27 | 574 35 87-01 | GASKET | | 1 | 1 |
| 28 | 577 01 66-01 | DIAPHRAGM | | 1 | 1 |
| 30 | 501 46 87-01 | SCREW | | 1 | 1 |
| 31 | 537 00 34-01 | SCREW | | 1 | 1 |
| 32 | 537 00 31-01 | SCREW | | 4 | 1 |
| 33 | 502 84 71-01 | SCREW | | 1 | 1 |
| 34 | 544 11 15-01 | SCREW | | 2 | 1 |
| 35 | 574 35 90-01 | SCREW | | 1 | 1 |
| 37 | 576 61 89-01 | SCREW | | 4 | 1 |
| 38 | 503 56 24-01 | SPRING | | 5 | 1 |
| 39 | 574 35 93-01 | SPRING | | 1 | 1 |
| 40 | 574 35 94-01 | SPRING | | 1 | 1 |
| 41 | 582 36 62-01 | REPAIR KIT | | 1 | |
| 45 | 579 32 31-01 | THROTTLE VALVE ASSY | | 1 | 1 |
| 46 | 501 66 61-01 | SCREEN | | 1 | 1 |
| 47 | 505 52 01-25 | PIN-METERING LEVER | | 1 | 1 |
| 48 | 574 35 96-01 | BUSHING | | 1 | 1 |
| 49 | 501 64 96-01 | LEVER | | 1 | 1 |
| 51 | 586 76 74-01 | SHAFT ASSY | | 1 | 1 |
| 52 | 574 35 76-01 | SPRING | | 1 | 1 |
| 53 | 576 61 90-01 | VALVE | | 1 | 1 |
| 54 | 505 31 67-36 | RING | | 1 | 1 |
| 55 | 582 36 65-01 | DIAPHRAGM & GASKET KIT | | 1 | |
| 60 | . | TBD | Download from your local supportsite | | |

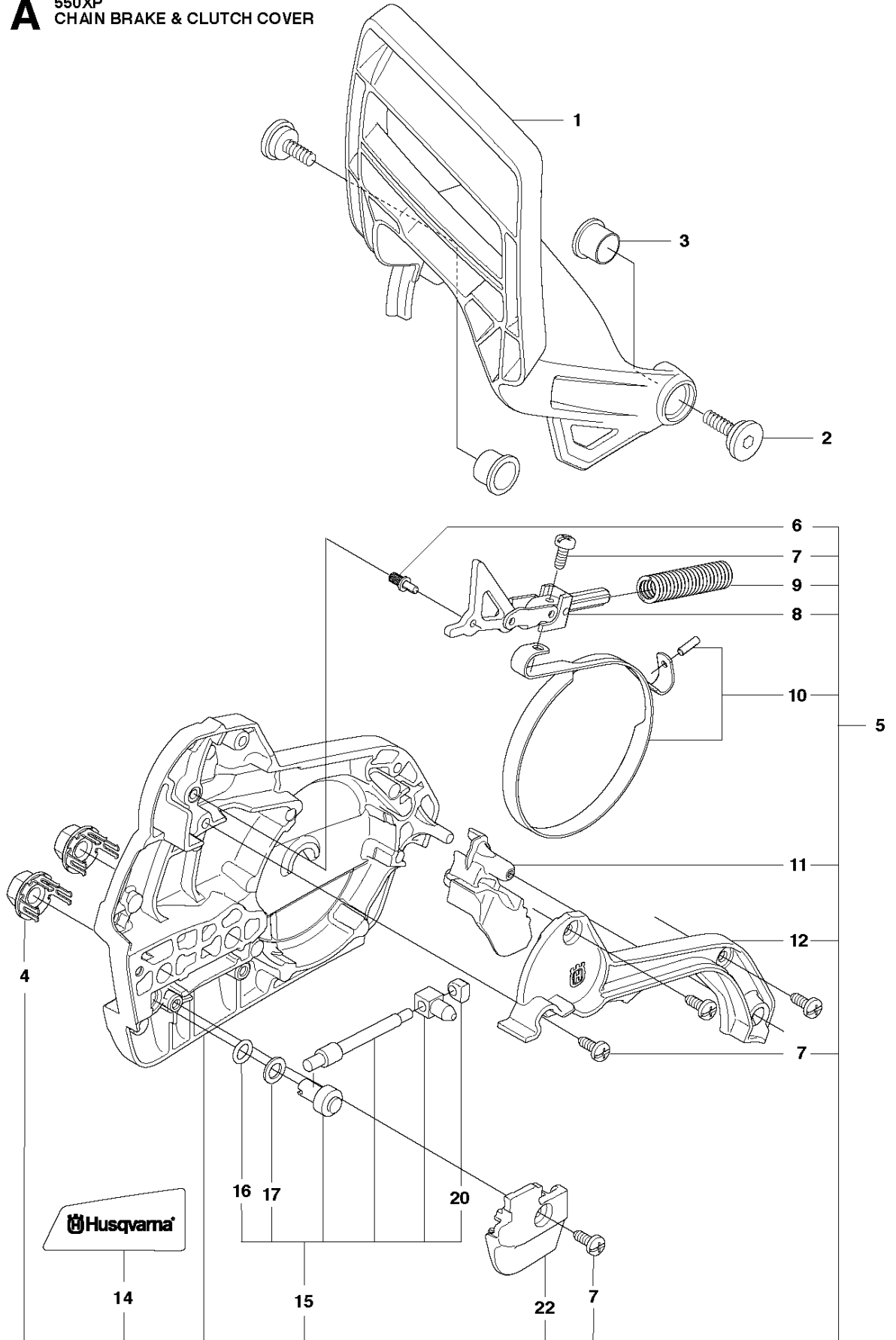


CARBURETOR DETAILS

550 XP/XPG

| Ref | Part No | Description | Remark | QTY | KIT |
|-----|--------------|---------------------|---|-----|-----|
| 4 | 577 26 29-01 | RETAINER | | 1 | 1 |
| 5 | 574 35 77-01 | LEVER | | 1 | 1 |
| 6 | 576 61 85-01 | LEVER | | 1 | 1 |
| 7 | 577 21 92-01 | THROTTLE LEVER ASSY | | 1 | 1 |
| 8 | 574 35 79-01 | LINK | | 1 | 1 |
| 9 | 574 35 81-01 | COVER | | 1 | 1 |
| 10 | 575 79 48-01 | INLET | | 1 | 1 |
| 11 | 575 79 47-01 | COVER | | 1 | 1 |
| 12 | 574 35 84-01 | SHAFT ASSY | | 1 | 1 |
| 13 | 574 35 82-01 | SHAFT | | 1 | 1 |
| 14 | 574 35 85-01 | VALVE | | 1 | 1 |
| 15 | 574 35 75-01 | VALVE | | 1 | 1 |
| 16 | 503 56 34-01 | INLET | | 1 | 1 |
| 19 | 576 61 88-01 | NOZZLE ASSY | | 1 | 1 |
| 21 | 504 79 08-01 | PLUG | | 1 | 1 |
| 22 | 502 84 69-01 | PLUG | | 1 | 1 |
| 25 | 504 13 09-06 | GASKET | | 1 | 1 |
| 26 | 574 35 86-01 | GASKET | | 1 | 1 |
| 27 | 574 35 87-01 | GASKET | | 1 | 1 |
| 28 | 577 01 66-01 | DIAPHRAGM | | 1 | 1 |
| 29 | 574 35 88-01 | DIAPHRAGM ASSY | | 1 | 1 |
| 30 | 501 46 87-01 | SCREW | | 1 | 1 |
| 31 | 537 00 34-01 | SCREW | | 1 | 1 |
| 32 | 537 00 31-01 | SCREW | | 4 | 1 |
| 33 | 502 84 71-01 | SCREW | | 1 | 1 |
| 34 | 544 11 15-01 | SCREW | | 2 | 1 |
| 35 | 574 35 90-01 | SCREW | | 1 | 1 |
| 37 | 576 61 89-01 | SCREW | | 4 | 1 |
| 38 | 503 56 24-01 | SPRING | | 1 | 1 |
| 39 | 574 35 93-01 | SPRING | | 1 | 1 |
| 40 | 574 35 94-01 | SPRING | | 1 | 1 |
| 41 | 577 66 61-01 | REPAIR KIT | | 1 | |
| 45 | 579 32 31-01 | THROTTLE VALVE ASSY | | 1 | 1 |
| 46 | 501 66 61-01 | SCREEN | | 1 | 1 |
| 47 | 505 52 01-25 | PIN-METERING LEVER | | 1 | 1 |
| 48 | 574 35 96-01 | BUSHING | | 1 | 1 |
| 49 | 502 84 74-01 | LEVER | | 1 | 1 |
| 51 | 574 35 74-01 | SHAFT ASSY | | 1 | 1 |
| 52 | 574 35 76-01 | SPRING | | 1 | 1 |
| 53 | 576 61 90-01 | VALVE | | 1 | 1 |
| 54 | 505 31 67-36 | RING | | 1 | 1 |
| 55 | 576 66 65-01 | GASKET KIT | | 1 | |
| 60 | . | TBD | Download from your local supportsite | | |

A 550XP
CHAIN BRAKE & CLUTCH COVER

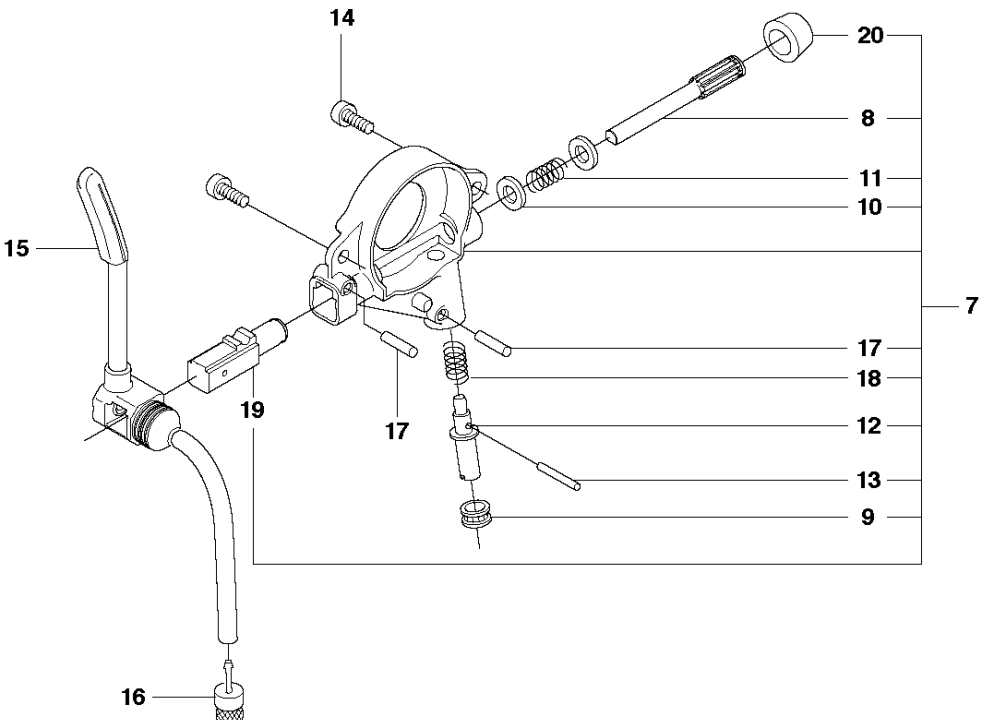
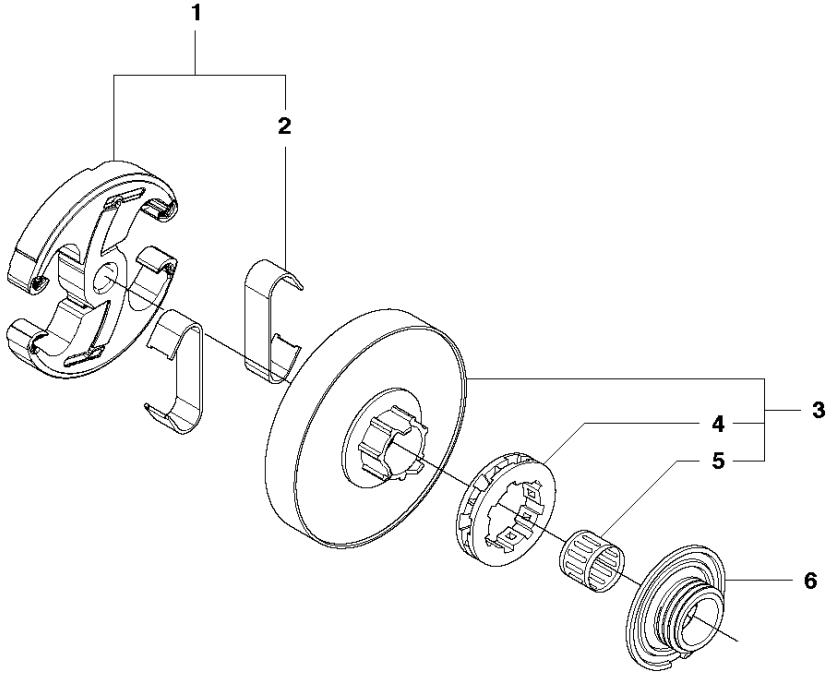


CHAIN BRAKE & CLUTCH COVER

550 XP/XPG

| Ref | Part No | Description | Remark | QTY | KIT |
|-----|--------------|---------------------|--------|-----|-------|
| 1 | 522 67 75-01 | HAND GUARD | | 1 | |
| 2 | 537 20 90-01 | SCREW | | 2 | |
| 3 | 577 78 02-01 | BUSHING | | 2 | |
| 4 | 505 19 73-01 | NUT | | 2 | |
| 5 | 505 19 90-05 | CLUTCH COVER ASSY | | 1 | |
| 6 | 503 75 18-01 | PIN KNEE-JOINT | | 1 | 5 |
| 7 | 503 21 70-10 | SCREW CCRPANT | | 5 | 5 |
| 8 | 505 19 93-01 | KNEE JOINT ASSY | | 1 | 5 |
| 9 | 503 90 83-01 | BRAKE SPRING | | 1 | 5 |
| 10 | 505 19 95-02 | BRAKE BAND ASSY | | 1 | 5 |
| 11 | 505 20 16-01 | GUARD | | 1 | 5 |
| 12 | 505 19 97-01 | COVER | | 1 | 5 |
| 14 | 523 05 80-01 | LABEL | | 1 | 5 |
| 15 | 575 26 04-03 | CHAIN TENSIONER KIT | | 1 | 5 |
| 16 | 740 48 07-02 | O-RING | | 1 | 15, 5 |
| 17 | 503 23 00-63 | WASHER | | 1 | 15, 5 |
| 20 | 537 01 74-01 | BEARING SLEEVE | | 1 | 15, 5 |
| 22 | 505 19 98-01 | CHAIN GUIDE | | 1 | 5 |

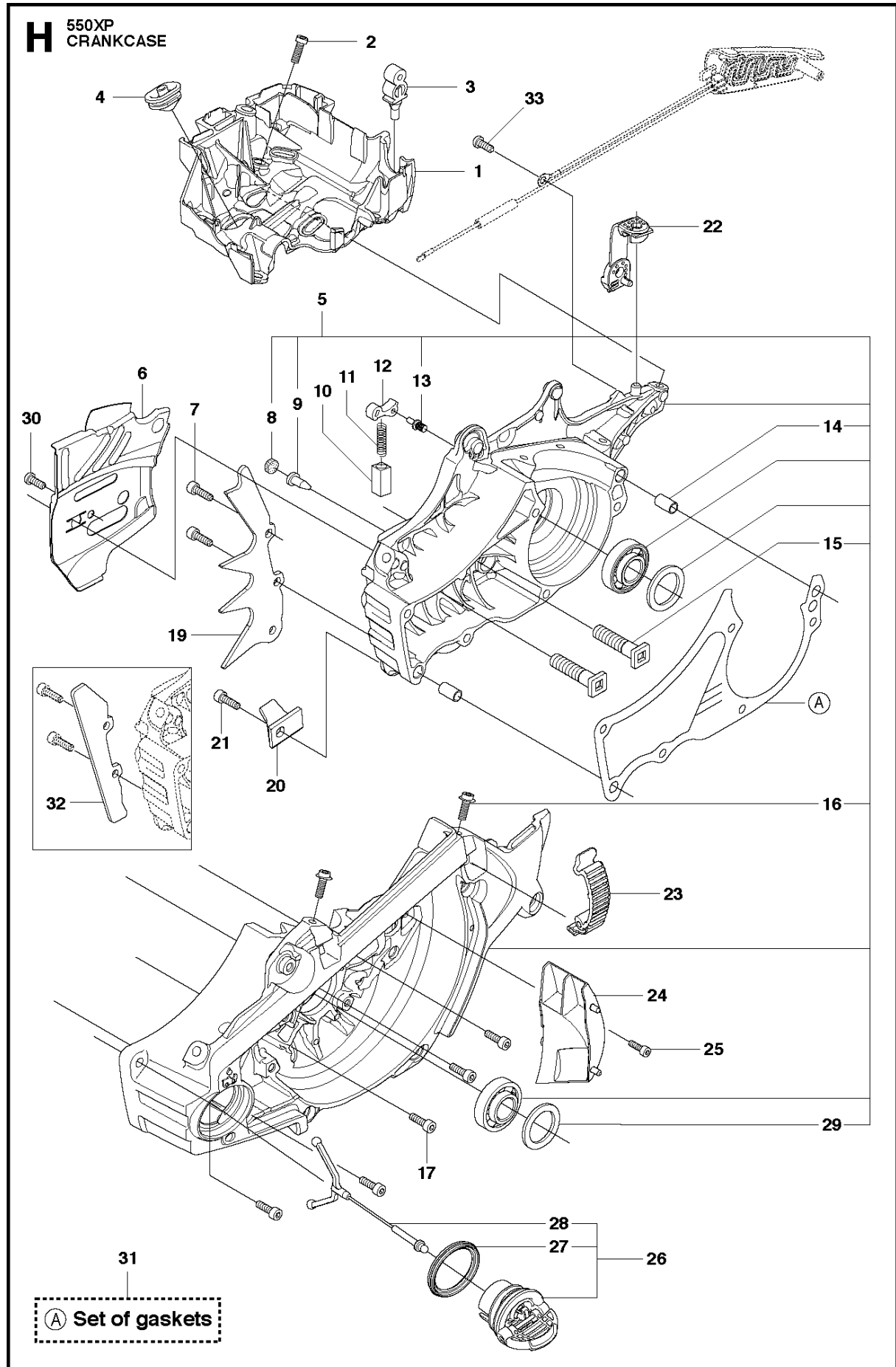
B 550XP
CLUTCH & OIL PUMP



CLUTCH & OIL PUMP

550 XP/XPG

| Ref | Part No | Description | Remark | QTY | KIT |
|-----|--------------|------------------|------------|-----|-----|
| 1 | 577 51 82-01 | CLUTCH ASSY | | 1 | |
| 2 | 537 35 91-01 | CLUTCH SPRING | | 2 | 1 |
| 3 | 575 26 10-03 | CLUTCH DRUM | ".325""x7" | 1 | |
| 4 | 501 45 74-02 | RIM | ".325""x7" | 1 | 3 |
| 5 | 503 25 34-01 | NEEDLE BEARING | | 1 | 3 |
| 6 | 505 20 08-01 | WORM WHEEL | | 1 | |
| 7 | 505 19 99-04 | OIL PUMP ASSY | | 1 | |
| 8 | 505 20 02-01 | PUMP PISTON | | 1 | 7 |
| 9 | 505 20 03-01 | CASING | | 1 | 7 |
| 10 | 503 23 00-60 | WASHER | | 2 | 7 |
| 11 | 503 89 16-01 | SPRING | | 1 | 7 |
| 12 | 505 20 14-01 | ADJUSTMENT SCREW | | 1 | 7 |
| 13 | 721 11 64-30 | GROOVED PIN | | 1 | 7 |
| 14 | 510 02 06-01 | SCREW IHSCM | | 2 | |
| 15 | 505 20 04-01 | OIL HOSE | | 1 | |
| 16 | 504 71 00-03 | OIL PLUMMET | | 1 | |
| 17 | 720 12 33-00 | PARALLEL PIN | | 2 | 7 |
| 18 | 503 89 15-01 | SPRING | | 1 | 7 |
| 19 | 505 20 01-01 | PUMP CYLINDER | | 1 | 7 |
| 20 | 503 62 49-01 | SEALING PLUG | | 1 | 7 |

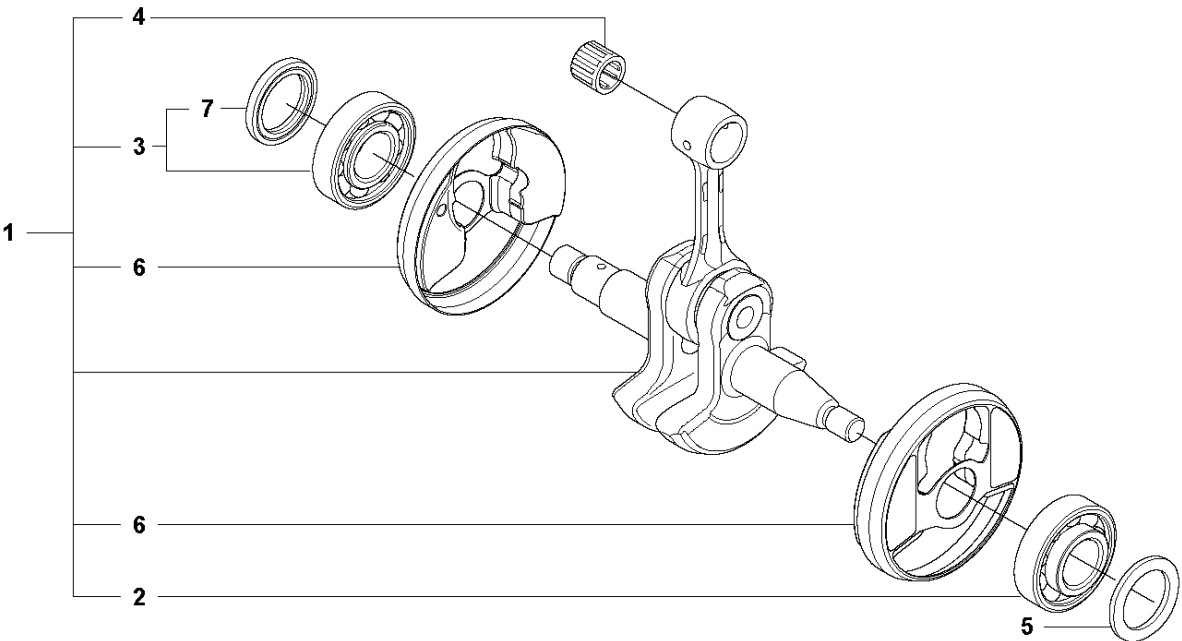


CRANKCASE

550 XP/XPG

| Ref | Part No | Description | Remark | QTY | KIT |
|-----|--------------|--------------------|------------------|-----|-----|
| 1 | 525 40 32-01 | CARBURETTOR | | 1 | |
| 2 | 503 20 02-16 | SCREW IHSCFM | | 4 | |
| 3 | 503 86 93-01 | CARBURETTOR | | 2 | |
| 4 | 581 55 92-01 | BELLOWS | | 1 | |
| 5 | 577 83 47-10 | CRANKCASE ASSY | | 1 | |
| 6 | 522 74 28-01 | CHAIN GUIDE PLATE | | 1 | |
| 7 | 503 21 26-16 | SCREW IHPANM | | 2 | |
| 8 | 537 40 35-01 | FILTER | | 1 | 5 |
| 9 | 530 02 61-19 | CHECK VALVE | | 1 | 5 |
| 10 | 537 21 07-01 | SPRING GUIDE | | 1 | |
| 11 | 503 43 65-01 | POSITION SPRING | | 1 | |
| 12 | 505 20 12-01 | CATCH | | 1 | |
| 13 | 503 75 18-01 | PIN KNEE-JOINT | | 1 | 5 |
| 14 | 501 27 08-01 | GUIDE BUSHING | | 2 | 5 |
| 15 | 505 21 73-01 | BAR BOLT | | 2 | 5 |
| 16 | 505 11 15-01 | SCREW IHSCM | | 2 | 5 |
| 17 | 503 20 08-03 | SCREW IHSCM | | 5 | |
| 19 | 578 40 05-01 | SPIKE | | 1 | |
| 20 | 537 37 79-02 | CHAIN CATCHER | | 1 | |
| 21 | 503 21 88-76 | SCREW IHST | | 1 | |
| 22 | 505 12 58-01 | DEFLECTION LIMITER | | 1 | |
| 23 | 503 89 47-03 | SNAP | | 3 | |
| 24 | 525 41 74-01 | AIR NOZZLE | | 1 | |
| 25 | 510 02 06-01 | SCREW IHSCM | | 1 | |
| 26 | 577 87 86-01 | TANK CAP ASSY | | 1 | |
| 27 | 505 41 10-01 | SEALING | | 1 | 26 |
| 28 | 503 57 89-01 | HOLDER | | 1 | 26 |
| 29 | 525 39 12-01 | RADIAL SEAL | | 1 | 5 |
| 30 | 525 88 74-01 | SCREW CITXPANT | | 1 | |
| 31 | 577 76 66-03 | GASKET KIT | A=set of gaskets | 1 | |
| 32 | 577 88 72-01 | ENCLOSED KIT | | 1 | |
| 33 | 526 22 18-01 | SCREW CITXPANT | | 1 | |

E 550XP
CRANKSHAFT

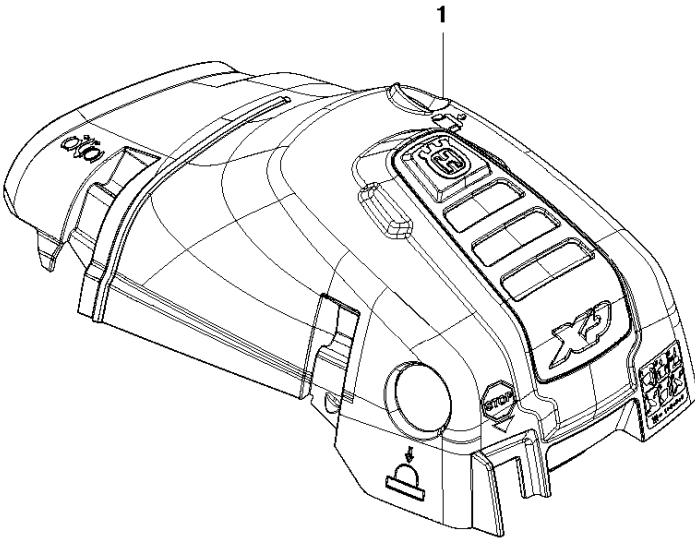


CRANKSHAFT

550 XP/XPG

| Ref | Part No | Description | Remark | QTY | KIT |
|-----|--------------|-----------------|--------|-----|------|
| 1 | 577 76 73-09 | CRANKSHAFT ASSY | | 1 | |
| 2 | 505 13 35-03 | BALL BEARING | | 1 | 1 |
| 3 | 525 43 42-03 | BALL BEARING | | 1 | 1 |
| 4 | 503 25 63-02 | NEEDLE BEARING | | 1 | 1 |
| 5 | 525 39 12-01 | RADIAL SEAL | | 1 | |
| 6 | 522 73 77-01 | CUP | | 2 | 1 |
| 7 | 503 26 09-01 | SEALING | | 1 | 1, 3 |

C 550XP
CYLINDER COVER



2

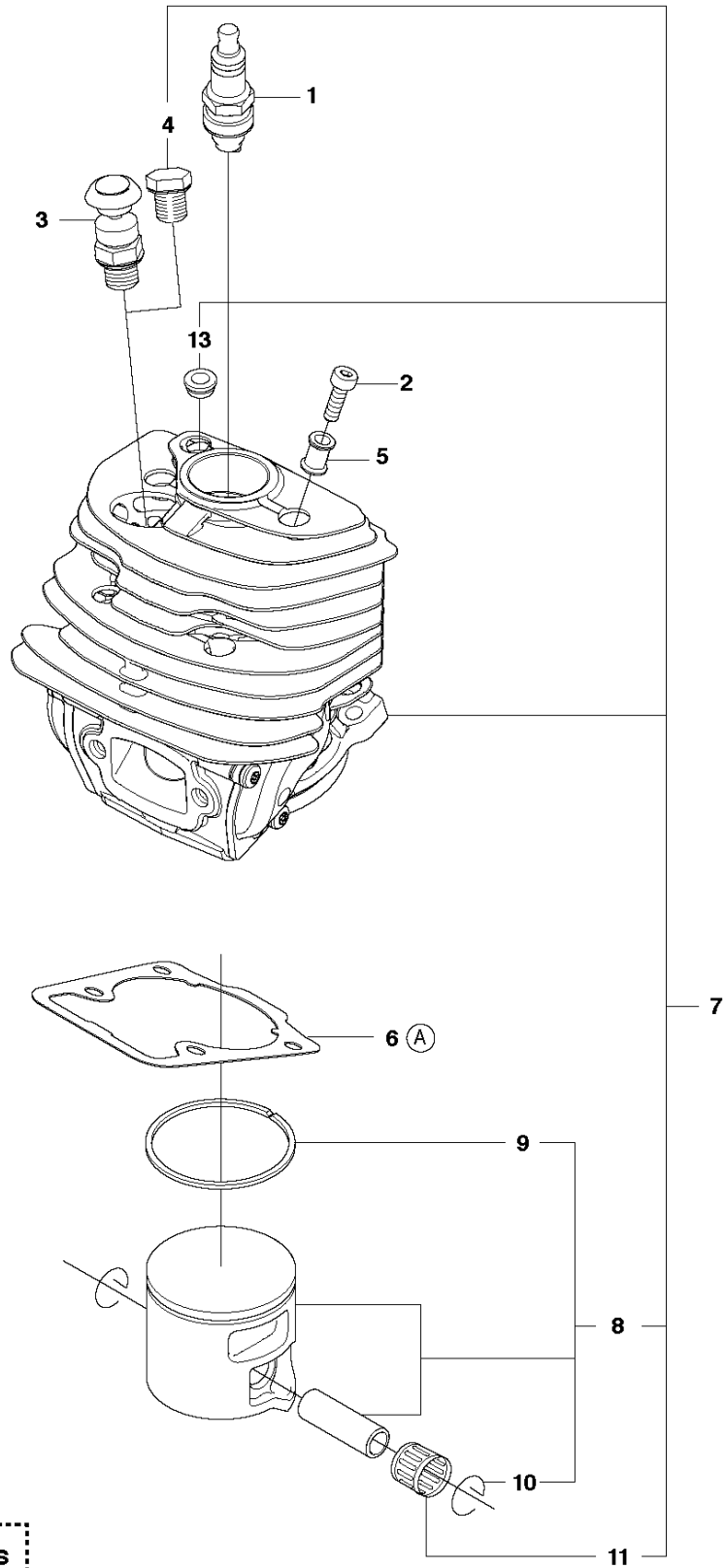
A grid of six icons representing assembly steps: 1. A hand holding a part. 2. A hand placing a part. 3. A hand turning a part. 4. A hand using a screwdriver. 5. A hand using a wrench. 6. A hand using a screwdriver. Below the grid is a summary row with a wavy line icon and the text '= 1+3+5+6'.

CYLINDER COVER

550 XP/XPG

| Ref | Part No | Description | Remark | QTY | KIT |
|-----|--------------|---------------------|--------|-----|-----|
| 1 | 587 24 86-03 | CYLINDER COVER ASSY | | 1 | |
| 2 | 587 14 95-01 | LABEL | | 1 | 1 |

D 550XP
CYLINDER PISTON

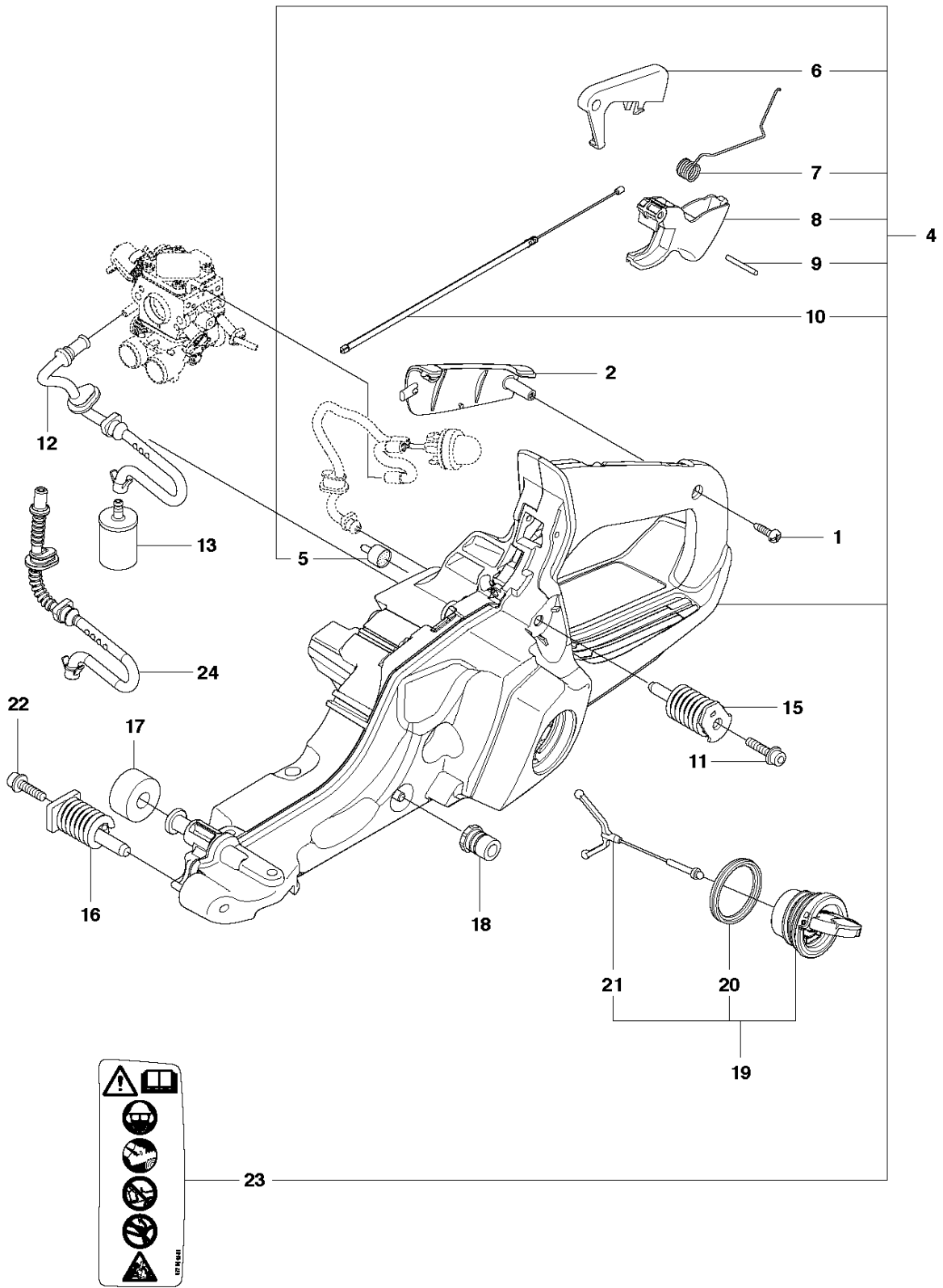


CYLINDER PISTON

550 XP/XPG

| Ref | Part No | Description | Remark | QTY | KIT |
|-----|--------------|---------------------|------------------|-----|------|
| 1 | 574 51 96-01 | SPARK PLUG | | 1 | |
| 2 | 725 53 39-55 | SCREW IHSCM | | 4 | |
| 3 | 575 27 69-01 | DECOMPRESSION VALVE | | 1 | |
| 4 | 503 55 22-01 | PLUG | | 1 | |
| 5 | 576 71 76-02 | SLEEVE | | 4 | |
| 6 | 525 31 58-01 | GASKET | | 1 | 12 |
| 7 | 577 76 47-05 | CYLINDER ASSY | | 1 | |
| 8 | 577 04 70-06 | PISTON ASSY | | 1 | 7 |
| 9 | 577 95 83-01 | PISTON RING | | 1 | 8, 7 |
| 10 | 737 44 10-00 | SNAP RING | | 2 | 8, 7 |
| 11 | 503 25 63-01 | NEEDLE BEARING | | 1 | 7 |
| 12 | 577 76 66-03 | GASKET KIT | A=set of gaskets | 1 | |
| 13 | 520 29 11-01 | BUSHING | | | 7 |

J 550XP
FUEL TANK

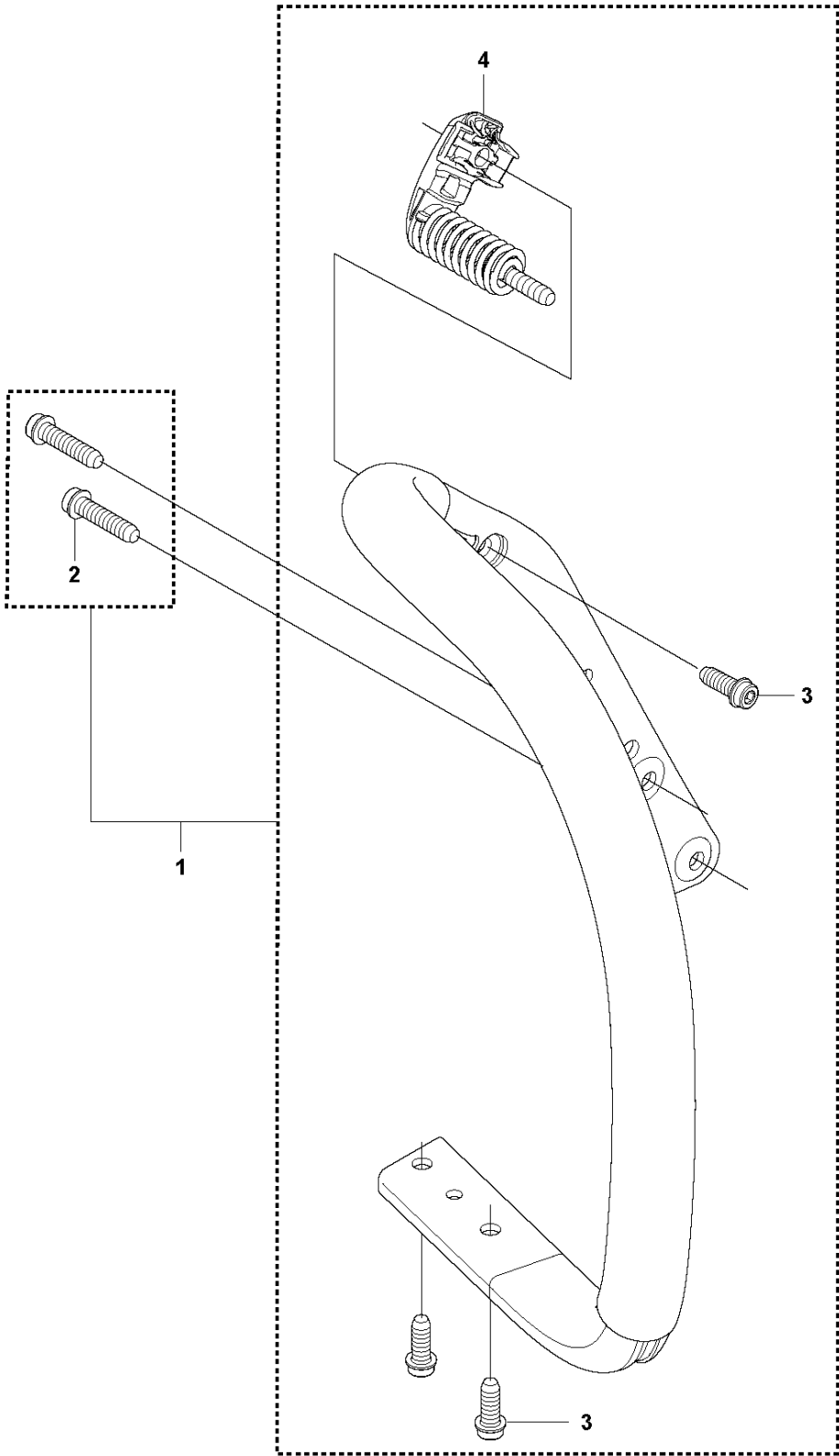


FUEL TANK

550 XP/XPG

| Ref | Part No | Description | Remark | QTY | KIT |
|-----|--------------|-----------------------|-------------|-----|-----|
| 1 | 503 21 28-13 | SCREW CCRPANT | | 1 | |
| 2 | 504 10 63-01 | HANDLE INSERT | | 1 | |
| 4 | 577 79 02-03 | FUEL TANK ASSY | | 1 | |
| 5 | 537 35 95-01 | TANK VENT ASSY | | 1 | 4 |
| 6 | 544 09 98-01 | THROTTLE LOCKOUT | | 1 | 4 |
| 7 | 544 09 99-01 | SPRING | | 1 | 4 |
| 8 | 505 15 77-01 | THROTTLE | | 1 | 4 |
| 9 | 720 18 25-20 | PARALLEL PIN | | 1 | 4 |
| 10 | 579 48 24-01 | THROTTLE CABLE ASSY | | 1 | 4 |
| 11 | 503 21 88-74 | SCREW IHSCT | | 1 | |
| 12 | 573 99 35-03 | FUEL HOSE | Up to AT-7A | 1 | |
| 13 | 503 44 32-01 | FILTER | | 1 | |
| 15 | 578 22 74-01 | ANTIVIBRATION ELEMENT | | 1 | |
| 16 | 505 12 87-01 | ANTIVIBRATION ELEMENT | | 1 | |
| 17 | 523 08 55-01 | DEFLECTION LIMITER | | 1 | |
| 18 | 501 00 76-01 | LATERAL SUPPORT | | 1 | |
| 19 | 522 62 00-03 | TANK CAP ASSY | | 1 | |
| 20 | 589 24 11-01 | GASKET | | 1 | 19 |
| 21 | 503 57 89-01 | HOLDER | | 1 | 19 |
| 22 | 503 21 88-76 | SCREW IHSCT | | 1 | |
| 23 | 577 84 43-01 | DECAL | | 1 | 4 |
| 24 | 577 50 41-01 | FUEL HOSE | From AT-12 | 1 | |

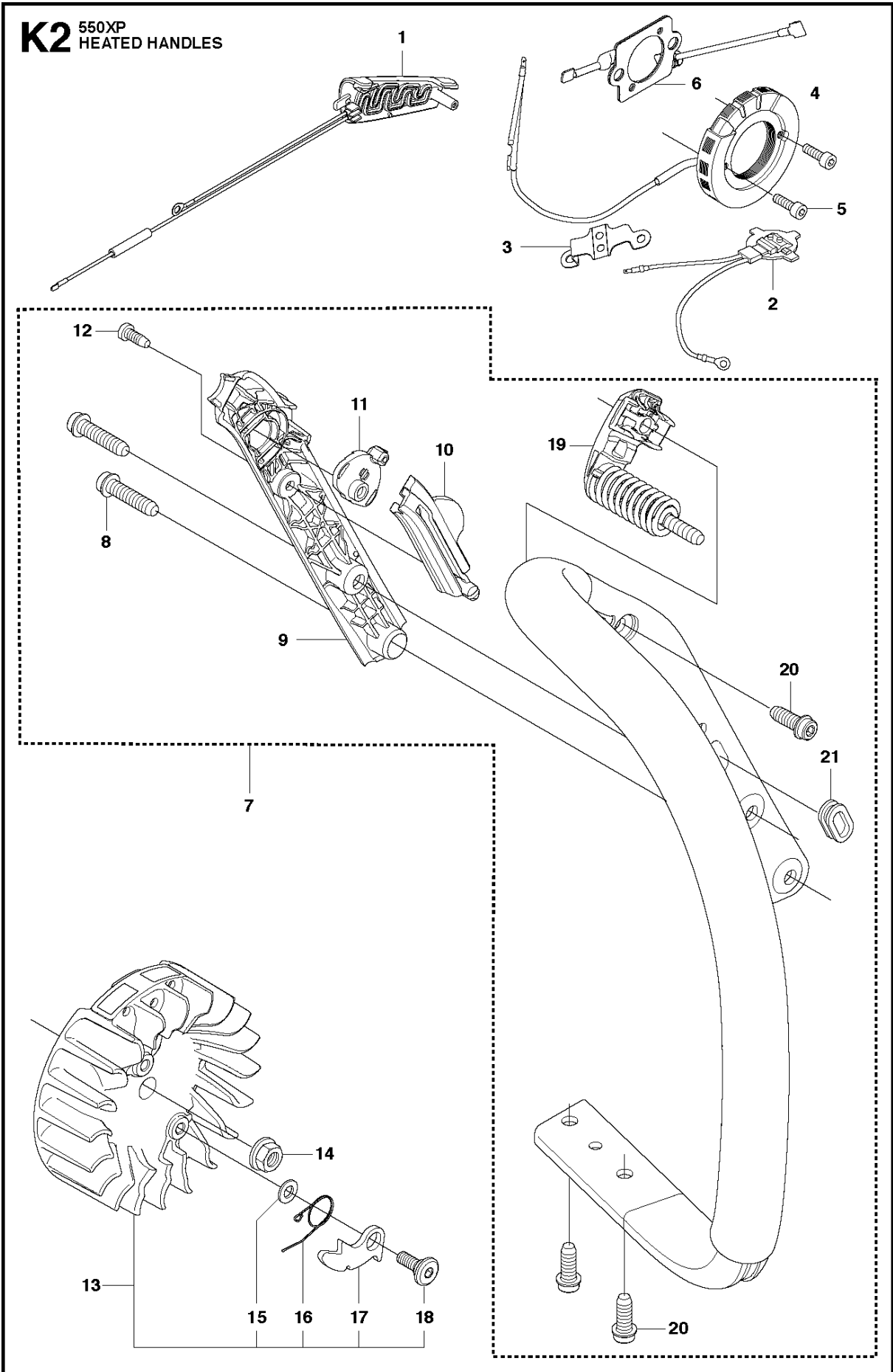
K1 550XP
HANDLES



HANDLE

550 XP/XPG

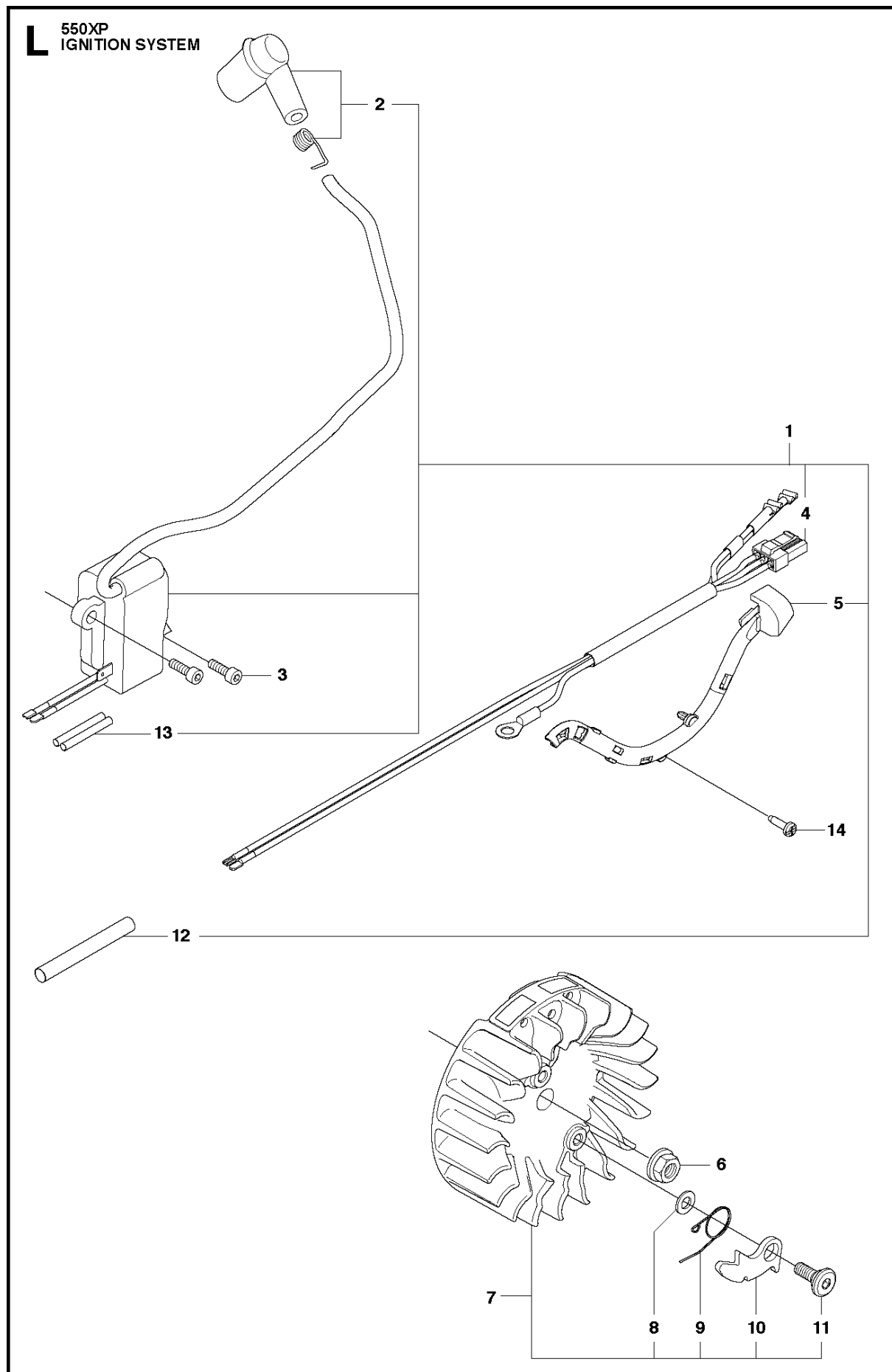
| Ref | Part No | Description | Remark | QTY | KIT |
|-----|--------------|-----------------------|--------|-----|-----|
| 1 | 577 79 82-01 | FRONT HANDLE | | 1 | |
| 2 | 503 21 88-76 | SCREW IHSCT | | 2 | 1 |
| 3 | 503 21 88-72 | SCREW IHSCT | | 4 | 1 |
| 4 | 522 95 15-01 | ANTIVIBRATION ELEMENT | | 1 | 1 |



HANDLE HEATED

550 XP/XPG

| Ref | Part No | Description | Remark | QTY | KIT |
|-----|--------------|-----------------------|--------|-----|-----|
| 1 | 522 74 19-02 | HANDLE INSERT | | 1 | |
| 2 | 522 66 58-01 | THERMOSTAT ASSY | | 1 | |
| 3 | 537 21 08-01 | RETAINER | | 1 | |
| 4 | 522 61 14-02 | GENERATOR STATOR | | 1 | |
| 5 | 510 02 06-02 | SCREW IHSCM | | 2 | |
| 6 | 522 63 01-01 | FOIL ELEMENT | | 1 | |
| 7 | 577 79 82-02 | FRONT HANDLE | | 1 | |
| 8 | 503 21 88-76 | SCREW IHST | | 2 | 7 |
| 9 | 523 34 85-03 | COVER | | 1 | 7 |
| 10 | 523 34 84-01 | CONTACT PLATE | | 1 | 7 |
| 11 | 537 25 25-01 | HANDLE | | 1 | 7 |
| 12 | 503 21 28-13 | SCREW CCRPANT | | 1 | 7 |
| 13 | 522 93 78-02 | FLYWHEEL ASSY | | 1 | |
| 14 | 503 22 04-01 | NUT | | 1 | |
| 15 | 503 23 00-42 | WASHER | | 2 | 13 |
| 16 | 501 67 35-01 | SPRING | | 2 | 13 |
| 17 | 501 67 32-01 | PAWL | | 2 | 13 |
| 18 | 501 81 99-01 | SCREW | | 2 | 13 |
| 19 | 522 95 15-01 | ANTIVIBRATION ELEMENT | | 1 | 7 |
| 20 | 503 21 88-72 | SCREW IHST | | 4 | 7 |
| 21 | 537 08 83-01 | GROMMET | | 1 | 7 |

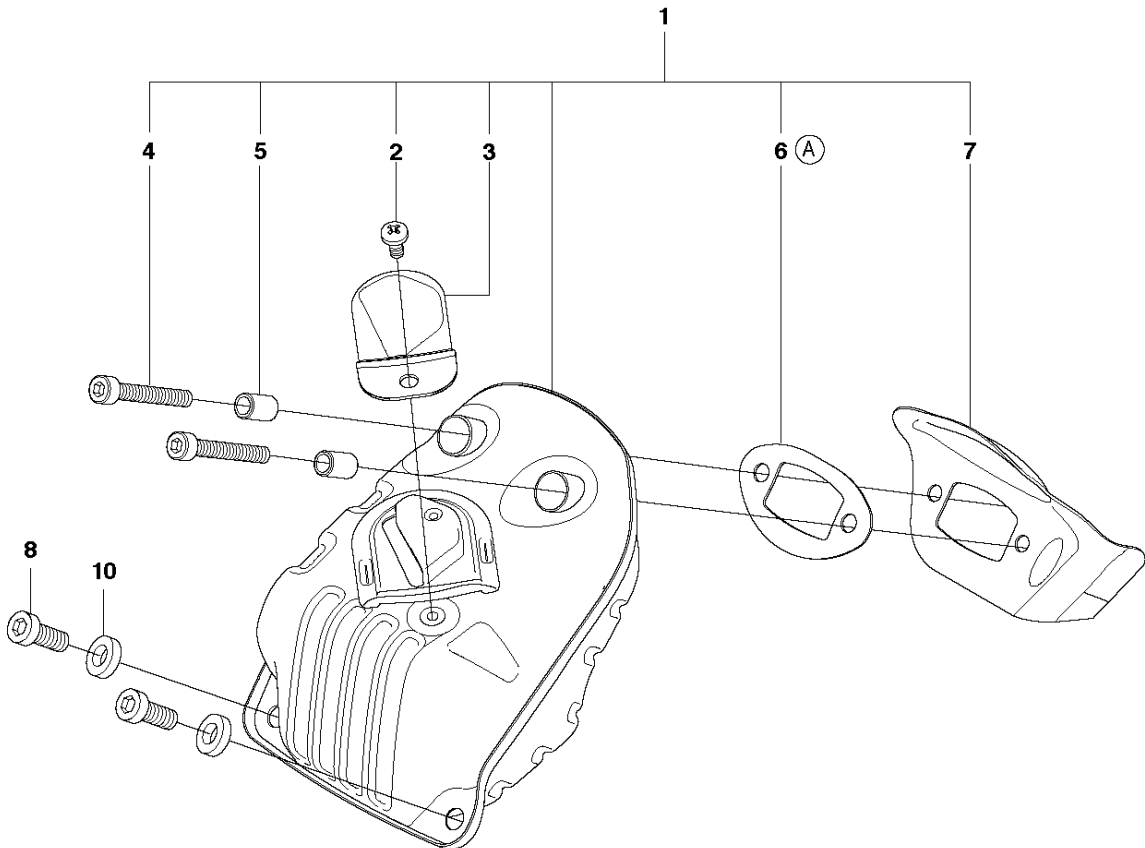


IGNITION SYSTEM

550 XP/XPG

| Ref | Part No | Description | Remark | QTY | KIT |
|-----|--------------|----------------------|--------|-----|-----|
| 1 | 581 72 36-02 | IGNITION MODULE ASSY | | 1 | |
| 2 | 501 48 54-04 | SPARK PLUG CAP ASSY | | 1 | 1 |
| 3 | 503 20 02-20 | SCREW IHSCFM | | 2 | |
| 4 | 577 96 76-02 | WIRING ASSY | | 1 | 1 |
| 5 | 529 29 26-01 | CABLE HOLDER | | 1 | 1 |
| 6 | 503 22 04-01 | NUT | | 1 | |
| 7 | 522 93 78-01 | FLYWHEEL ASSY | | 1 | |
| 8 | 503 23 00-42 | WASHER | | 2 | 7 |
| 9 | 501 67 35-01 | SPRING | | 2 | 7 |
| 10 | 501 67 32-01 | PAWL | | 2 | 7 |
| 11 | 501 81 99-01 | SCREW | | 2 | 7 |
| 12 | 504 04 35-05 | CABLE COVER | | 1 | 1 |
| 13 | 503 23 85-01 | SHRINKAGE HOSE | | 2 | 1 |
| 14 | 525 88 74-01 | SCREW CITXPANT | | 1 | |

F 550XP
MUFFLER



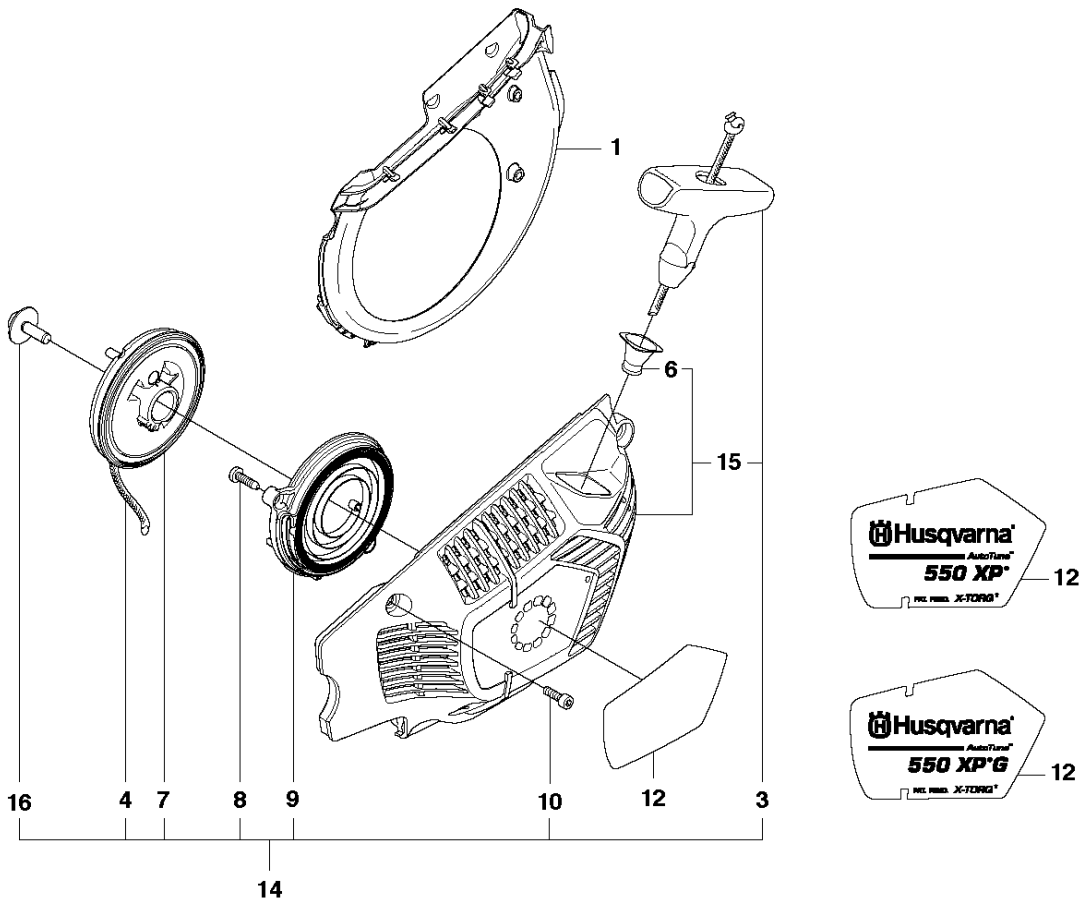
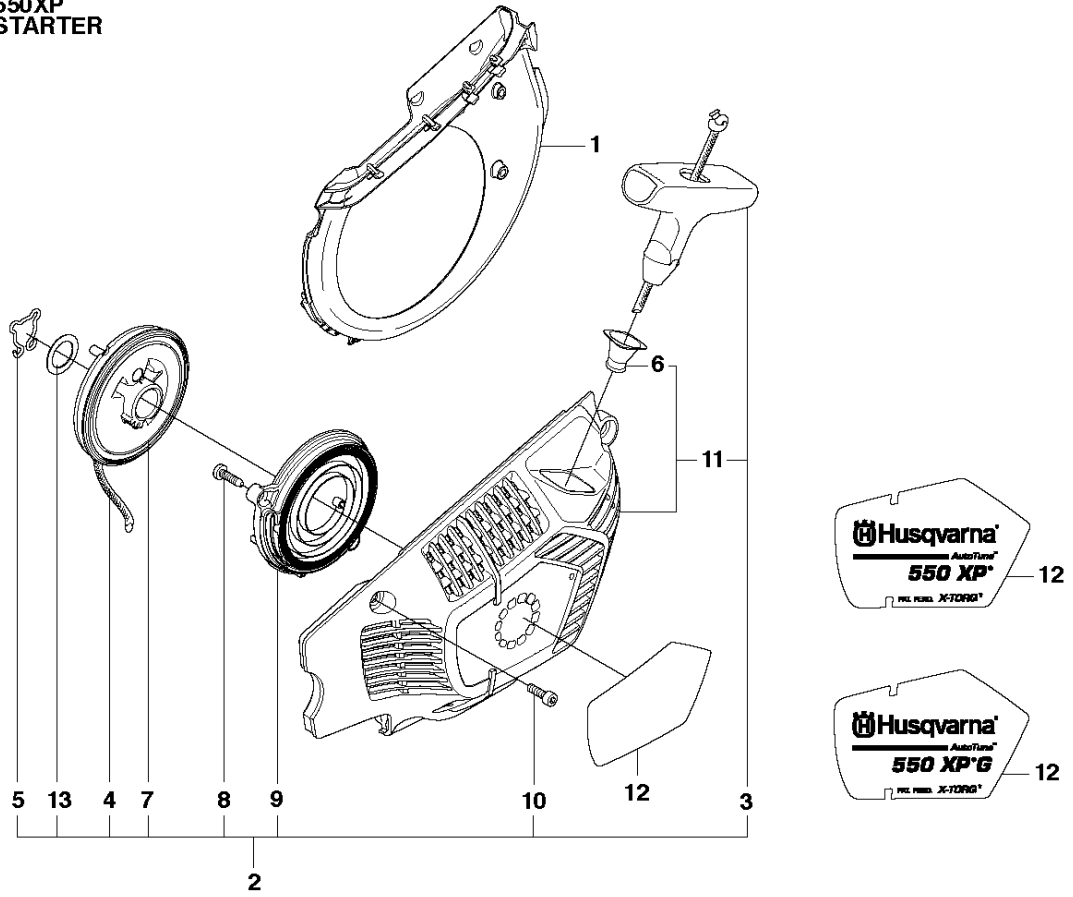
9
Ⓐ Set of gaskets

MUFFLER

550 XP/XPG

| Ref | Part No | Description | Remark | QTY | KIT |
|-----|--------------|----------------|------------------|-----|------|
| 1 | 523 05 26-02 | MUFFLER KIT | | 1 | |
| 2 | 724 12 87-59 | SCREW CRPANM | | 1 | 1 |
| 3 | 576 89 02-01 | SPARK ARRESTER | | 1 | 1 |
| 4 | 725 53 76-55 | SCREW IHSCM | | 2 | 1 |
| 5 | 577 65 63-01 | SLEEVE | | 2 | 1 |
| 6 | 523 05 24-01 | GASKET | | 1 | 1, 9 |
| 7 | 523 05 25-01 | HEAT DEFLECTOR | | 1 | 1 |
| 8 | 503 20 73-20 | SCREW IHSCM | | 2 | |
| 9 | 577 76 66-03 | GASKET KIT | A=set of gaskets | 1 | |
| 10 | 577 90 22-01 | WASHER | | 1 | |

M 550XP
STARTER



STARTER

550 XP/XPG

| Ref | Part No | Description | Remark | QTY | KIT |
|-----|--------------|----------------------|--------|-----|-------|
| 1 | 522 79 62-01 | AIR CONDUCTOR | | 1 | |
| 2 | 522 74 25-04 | STARTER ASSY | | 1 | |
| 3 | 537 23 25-01 | STARTER HANDLE | | 1 | 2 |
| 4 | 505 30 51-25 | STARTER CORD | | 1 | 2 |
| 5 | 575 85 76-01 | CLIP | | 1 | 2 |
| 6 | 537 28 32-01 | REINFORCEMENT SLEEVE | | 1 | 2, 11 |
| 7 | 505 15 81-01 | STARTER PULLEY ASSY | | 1 | 2 |
| 8 | 503 21 28-13 | SCREW CCRPANT | | 2 | 2 |
| 9 | 505 15 79-01 | SPRING CASSETTE ASSY | | 1 | 2 |
| 10 | 544 08 03-01 | SCREW | | 4 | 2 |
| 11 | 522 74 13-02 | STARTER HOUSING | | 1 | 2 |
| 12 | 523 08 32-03 | LABEL | XP | 1 | |
| 12 | 523 08 32-04 | LABEL | XPG | 1 | |
| 13 | 505 15 85-01 | WASHER | | 1 | 2 |
| 14 | 522 74 25-07 | STARTER ASSY | | 1 | |
| 15 | 522 74 13-04 | STARTER HOUSING | | 1 | |
| 16 | 503 20 52-16 | SCREW IHSCT | | 1 | |

Illustrated Parts List - IPL Update



Product Name(s)

H550XP/XPG

Description of change

1. New Crankshaft 577 76 73-09 with new ball bearings. New ball bearings with improved durability.
2. New Ball bearings 525 43 42-03 and 505 13 35-03.
3. New Crankcase, assy 577 83 47-10 with new ball bearings.

Comments

This update is fully exchangeable.

Introduced from

| Serial number / Date | Remark |
|----------------------|------------------------------------|
| s/n 20163100481 | Valid for Bearings and Crankshaft. |
| s/n 20163100481 | Valid for Crankcase assy. |
| | |
| | |

IPL updates

| Page Title | Ref. no | New part no | Name | Excl. part no. | Remark |
|------------|---------|--------------|-----------------|----------------|--------|
| Crankshaft | 1 | 577 76 73-09 | Crankshaft assy | 577 76 73-07 | |
| | 2 | 505 13 35-03 | Ball bearing | 505 13 35-02 | |
| | 3 | 525 43 42-03 | Ball bearing | 525 43 42-02 | |
| Crankcase | 5 | 577 83 47-10 | Crankcase, assy | 577 83 47-04 | |
| | | | | | |
| | | | | | |