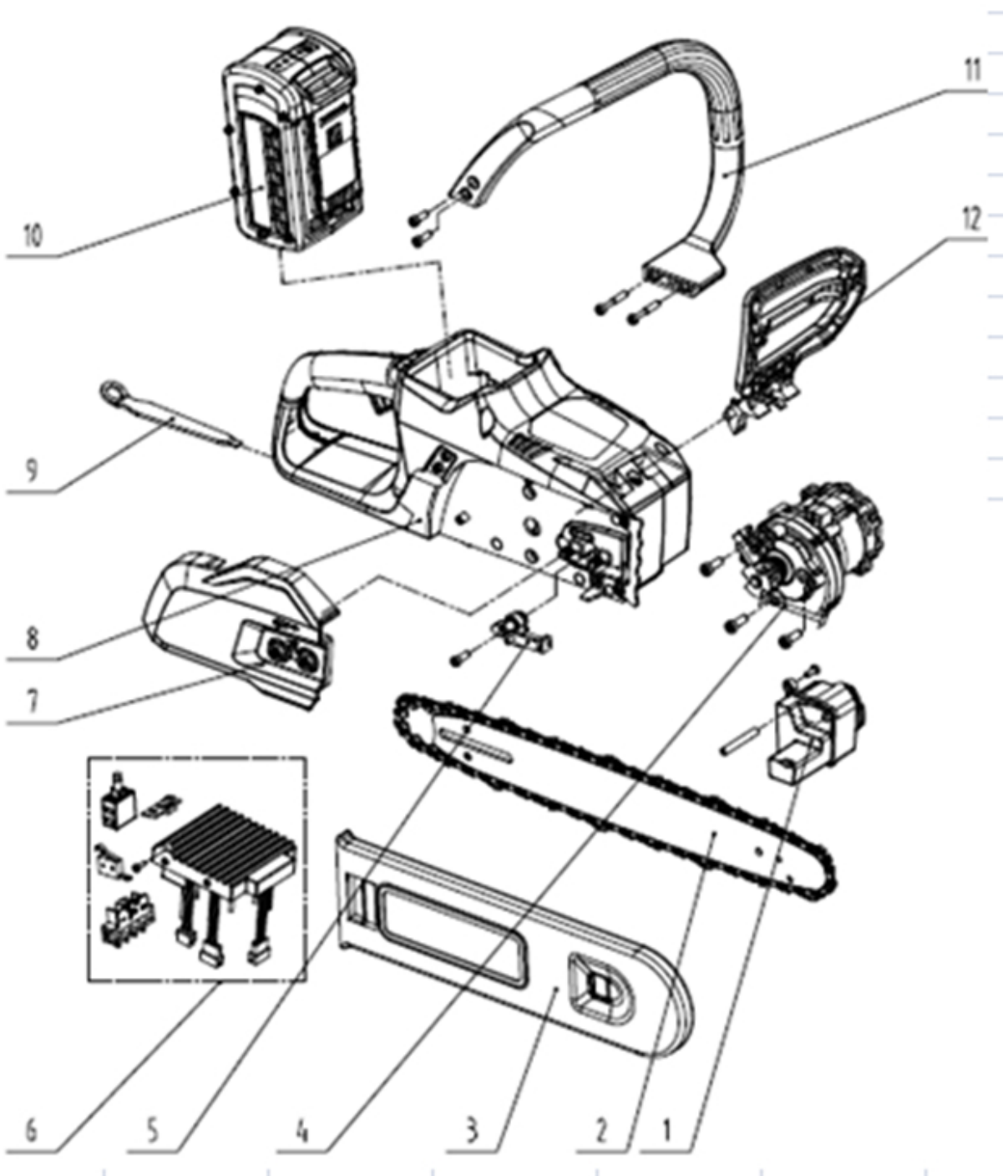




# SPARE PARTS LIST

CHAIN SAWS: ELECTRIC

Li-40CS, 967103401, 967103462, 2016-10



## ASSEMBLY

Li-40CS, 967103401, 967103462, 2016-10

Ref	Part No	Description	Remark	QTY KIT
1	590 40 79-01	GREASE SEAL ASSY		1
2	577 61 43-05	BAR		1
3	590 40 82-01	SCABBARD		1
4	590 40 84-01	MOTOR		1
5	590 40 85-01	CHAIN TENSIONER		1
6	590 40 87-01	CIRCUIT BOARD ASSY		1
7	590 40 89-01	CLUTCH COVER ASSY		1
8	590 40 92-01	REAR HANDLE ASSY		1
9	589 83 87-01	WRENCH		1
10	582 61 17-01	BATTERY PACK - 2AH		1
10	582 61 13-01	BATTERY PACK - 4AH		0
11	590 40 95-01	FRONT HANDLE ASSY		1
12	590 40 97-01	CHAIN BRAKE HAND GUARD		1
-	582 61 37-62	BATTERY CHARGER - EU		1
-	582 61 37-01	BATTERY CHARGER - UK		1
-	589 71 60-01	OIL CAP ASSY		1
-	589 71 78-01	BAR NUT		1
-	589 80 67-01	SPROCKET		1
-	589 71 74-01	SPROCKET CLIP		1
-	577 61 51-05	SAW CHAIN		1